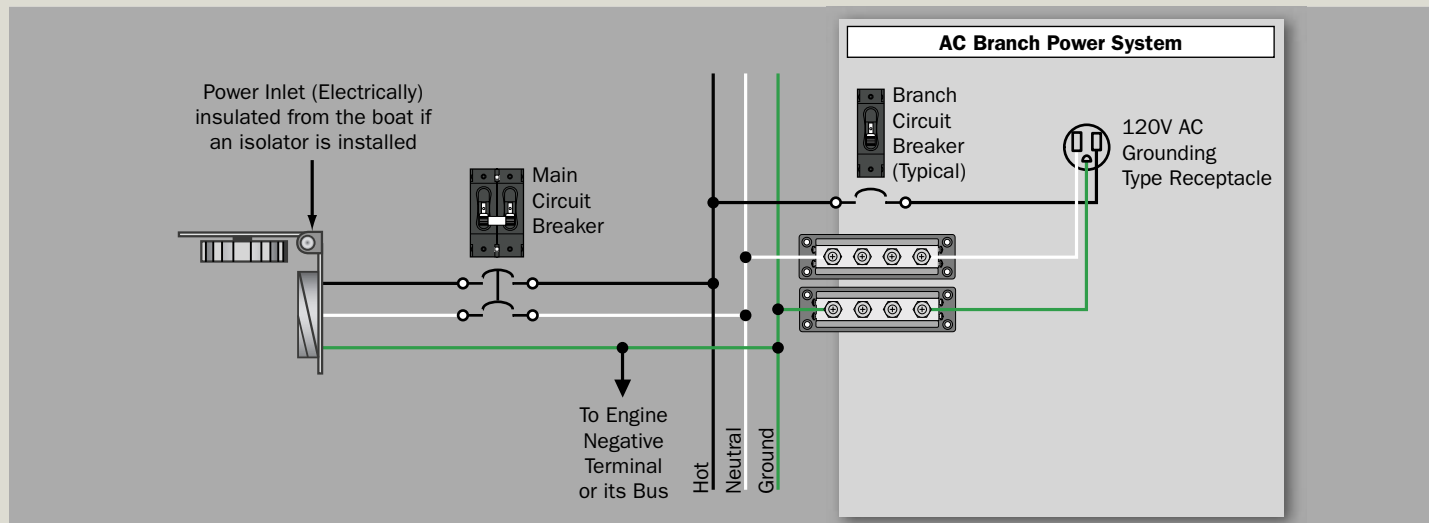


The AC Branch Power System begins at the Line terminal connection of the AC branch circuit breaker for the Hot wire and at the branch circuit connection block for the neutral and safety ground wires. It ends at the AC outlet or the AC device that is powered. The devices used for AC branch power distribution are the same devices used for AC branch circuit protection. For this reason these two product areas are combined into AC branch power systems in this section of the catalog.

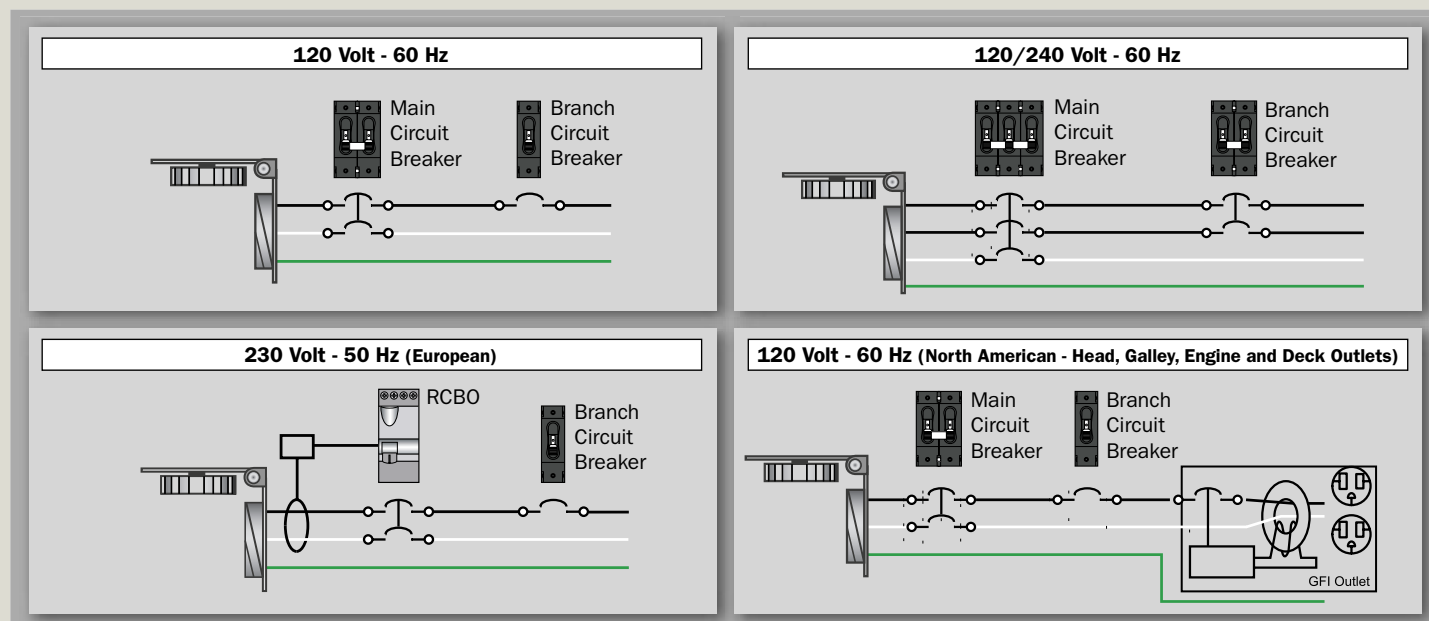


Purpose

- Distribution of high amperage currents from a single cable into lower amperages in multiple wires
- Circuit protection
- Switching
- GFCI (see page 122) in North American systems

System Configurations - Physical configuration of AC Branch circuit breakers

Circuit breakers used for AC branch switching and circuit protection always have one pole less than the AC main installed between the branch circuit breaker and the AC power source. This circuit breaker is installed in the AC hot conductor.



The Devices

AC branch circuit breakers are distinguished by their AIC rating. The table on the right shows the AIC required in AC branch circuit breakers for each type of shore power commonly found in marinas.

As it is only in 120 Volt and 120/240 Volt systems that AC main circuit and AC branch circuit requirements differ, the same circuit breakers that are used in AC main systems are used in AC branch applications. It is only in the number of poles that main and branch circuit breakers differ (See page 62 for Selecting AC Circuit Protection).

Ampere Interrupt Rating - ABYC Table

AC Shore Power Source	Main Circuit Breaker	Branch Circuit Breaker
120V - 30A	3,000	3,000
120V - 50A	3,000	3,000
120/240V - 50A	5,000	3,000
240V - 50A	5,000	3,000

Single and Double Pole Toggle World Circuit Breakers

The World Circuit Breaker meets all American Boat and Yacht Council (ABYC) standards, is UL 1077 recognized, TUV certified, CE marked for Europe, and CSA certified for Canada.

- The industry standard circuit breaker for Blue Sea Systems electrical panels
- Combines switching and circuit protection into a single device
- Double pole used as 120/240 Volt AC branch circuit breakers to switch line 1 and line 2
- “Trip Free” design cannot be held “ON” during fault current condition
- For circuit breaker mounting panels (see page 87)

Specifications

Circuit Breaker Type	Magnetic Hydraulic - Trip free
Maximum Amperage	50 Amperes
Maximum Voltage	277 Volts AC/65 Volts DC
Rated Switch Cycles	10,000@rated amperage and voltage
Delay	See www.blueseasystems.com
Weight	Single Pole 0.17Lb (0.08Kg) Double Pole 0.34Lb (0.15Kg)
Mounting screw	#6-32
Terminal screw	#10-32 SS with external tooth lockwasher

CE marked

Interrupt Ratings (see ABYC Interrupt rating Requirements page 71)

World Circuit Breakers - Single and Double Pole			
Voltage	Current	Interrupt Ratings	Interrupt Ratings
		UL 1077 - UL/CSA (US/Canada) ¹	EN60934 - TUV (Europe)
65V DC	5-50A	7,500A	1,500A
120V AC	5-50A	3,000A	1,500A
120/240V AC	10-50A	3,000A	1,500A
250V AC	10-50A	3,000A	1,500A

¹ UL Recognized



7200



7233

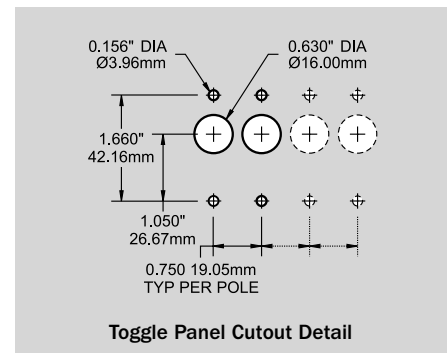
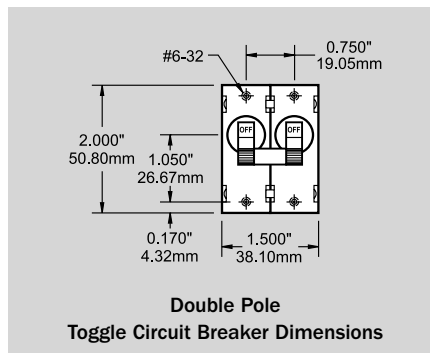
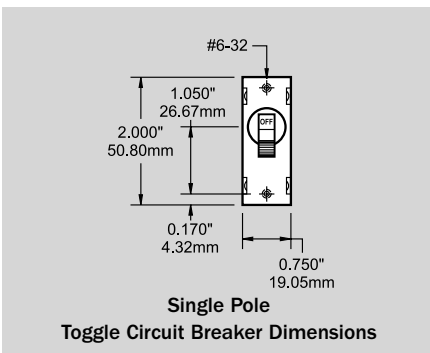
AC BRANCH POWER DISTRIBUTION AND CIRCUIT PROTECTION

Single Pole		
PN	Color	Amperage
7200	Black	5A
7201	Red	5A
7202	White	5A
7347	Black	8A
7299	White	8A
7204	Black	10A
7205	Red	10A
7206	White	10A
7208	Black	15A
7209	Red	15A
7210	White	15A
7212	Black	20A
7213	Red	20A
7214	White	20A
7216	Black	25A
7217	Red	25A

Single Pole		
PN	Color	Amperage
7218	White	25A
7220	Black	30A
7221	Red	30A
7222	White	30A
7224	Black	40A
7225	Red	40A
7226	White	40A
7228	Black	50A
7229	Red	50A
7230	White	50A

Double Pole		
PN	Color	Amperage
7232	Black	10A
7233	White	10A
7234	Black	15A
7235	White	15A
7348	Black	16A
7294	White	16A
7236	Black	20A
7260	White	20A
7237	Black	30A
7238	White	30A
7349	Black	32A
7295	White	32A
7239	Black	40A
7240	White	40A
7241	Black	50A
7242	White	50A

NEW PRODUCT





7300



7320

AIRPAX

Single and Double Pole Small Case 2” Rocker Circuit Breakers

- Rocker actuator gives modern appearance to electrical distribution panels
- Dual color rocker gives clear visual indication of handle position
- Double pole used as 120/240 Volt AC branch circuit breakers to switch line 1 and line 2
- “Trip Free” design cannot be held “ON” during fault current condition

Specifications

Circuit Breaker Type	Magnetic Hydraulic - Trip free
Maximum Amperage	See table below
Maximum Voltage	See table below
Rated Switch Cycles	10,000@rated amperage and voltage
Delay	See www.bluesea.com
Weight	Single Pole 0.19Lb (0.09Kg) Double Pole 0.36Lb (0.16Kg)
Mounting screw	#6-32
Terminal screw	#10-32 SS with external tooth lockwasher

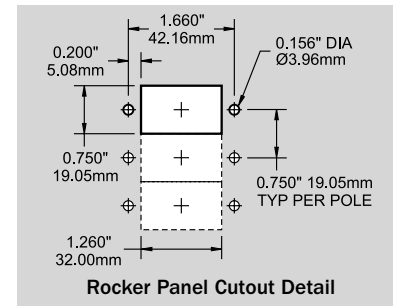
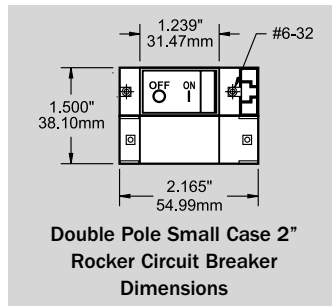
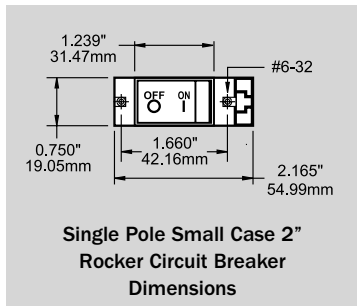
CE marked

Interrupt Ratings (see ABYC Interrupt rating Requirements page 71)

Rocker Circuit Breakers - Single and Double Pole			
		UL 1077 - UL/CSA (US/Canada) ¹	EN60934 - VDE (Europe)
Voltage	Current	Interrupt Ratings	Interrupt Ratings
65V DC	5-50A	-	2,000A
80V DC	5-30A	-	4,000A
80V DC	5-50A	7,500A	-
125V AC	5-50A	3,000A	-
240V AC	5-50A	2,000A	-
250V AC	5-30A	2,000A	2,000A
250V AC	5-50A	-	2,000A

¹ UL Recognized

PN	Pole	Amperage	PN	Pole	Amperage	PN	Pole	Amperage
7300	1	5A	7306	1	30A	7303	1	15A
7301	1	8A	7307	1	40A	7304	1	20A
7302	1	10A	7308	1	50A	7305	1	25A
7303	1	15A	7300	1	5A	7306	1	30A
7304	1	20A	7301	1	8A	7307	1	40A
7305	1	25A	7302	1	10A	7308	1	50A
						7320	2	10A
						7321	2	15A
						7322	2	16A
						7323	2	20A
						7324	2	30A
						7325	2	32A
						7326	2	40A
						7327	2	50A
4110	-	-		-	-		-	Panel Plug Kit



7408



7433

AIRPAX

Single Pole Small Case 2” Rocker Circuit Breakers NEW PRODUCT

- Color actuator indicates “OFF” position
- “Trip Free” design cannot be held “ON” during fault current condition
- 2 different actuator styles available to protect accidental switching

Specifications

Circuit Breaker Type	Magnetic Hydraulic - Trip free
Maximum Amperage	See tables below
Maximum Voltage	See tables below
Rated Switch Cycles	10,000@rated amperage and voltage
Delay	See www.bluesea.com
Mounting screw	#6-32 SS - Recommended torque 6-8 in-lb
Terminal screw	45° Angled #10-32 x 5/16 SS SEM external tooth lock washer - Recommended torque 14-15 in-lb

CE marked

▶ See page 42 for more details

Interrupt Ratings (see ABYC Interrupt rating Requirements page 71)

Small Case IEGBX Rocker Circuit Breakers - Single Pole			
		UL 1077 - UL/CSA (US/Canada) ¹	EN60934 - VDE (Europe)
Voltage	Current	Interrupt Ratings	Interrupt Ratings
65V DC	5-50A	-	2,000A
80V DC	5-30A	-	4,000A
80V DC	5-50A	7,500A	-
125V AC	5-50A	3,000A	-
240V AC	5-50A	2,000A	-
250V AC	5-30A	2,000A	2,000A
250V AC	5-50A	-	2,000A

¹ UL Recognized

PN	Actuator	Poles	Amperage	PN	Actuator	Poles	Amperage
7400	Flat	1	5A	7425	Slot Reset	1	5A
7401	Flat	1	8A	7426	Slot Reset	1	8A
7402	Flat	1	10A	7427	Slot Reset	1	10A
7403	Flat	1	15A	7428	Slot Reset	1	15A
7404	Flat	1	20A	7429	Slot Reset	1	20A
7405	Flat	1	25A	7430	Slot Reset	1	25A
7406	Flat	1	30A	7431	Slot Reset	1	30A
7407	Flat	1	40A	7432	Slot Reset	1	40A
7408	Flat	1	50A	7433	Slot Reset	1	50A

NEW PRODUCT

C-Series Circuit Breakers

- 5,000 Ampere interrupt capacity to meet ABYC requirements for 120/240 Volt AC 50 Ampere main protection
- Double pole can be used as 120 Volt AC main circuit breaker to switch line 1 and line 2
- Triple pole can be used as 240 Volt AC main circuit breaker to switch line 1 and line 2
- Double and triple pole circuit breakers will trip all poles if any one pole trips
- "Trip Free" design cannot be held "ON" during fault current condition

Specifications

Circuit Breaker Type Magnetic Hydraulic - Trip free
 Maximum Amperage 100 Amperes
 Maximum Voltage 250 Volts AC
 Delay See www.blueseas.com

PN	Color	Poles	Amperage	Weight Lb (Kg)
7350	White	1*	5A	0.28 (0.13)
7351	White	1*	10A	0.28 (0.13)
7352	White	1*	15A	0.28 (0.13)
7353	White	1*	20A	0.28 (0.13)
7354	White	1*	25A	0.28 (0.13)
7355	White	1*	30A	0.28 (0.13)
7244	White	1*	50A	0.36 (0.17)
7246	White	1*	60A	0.36 (0.17)
7248	White	1*	80A	0.36 (0.17)
7250	White	1*	100A	0.36 (0.17)
7365	White	2	30A	0.56 (0.26)
7251	White	2	50A	0.56 (0.26)
7254	White	2	60A	0.56 (0.26)
7256	White	2	80A	0.56 (0.26)
7258	White	2	100A	0.56 (0.26)
7287	White	3	50A	0.93 (0.46)
7288	White	3	60A	0.93 (0.46)
7289	White	3	80A	0.93 (0.46)
7290	White	3	100A	0.93 (0.46)

* Single pole breakers are AC/DC rated

▶ See page 65 for C-Series Circuit Breaker Mounting Panels.



7250

7251



7287

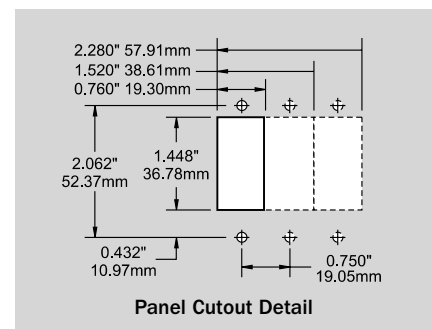
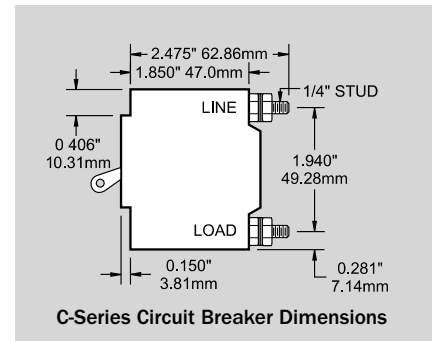
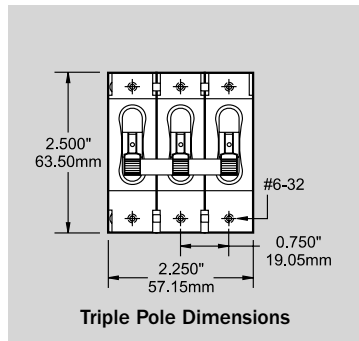
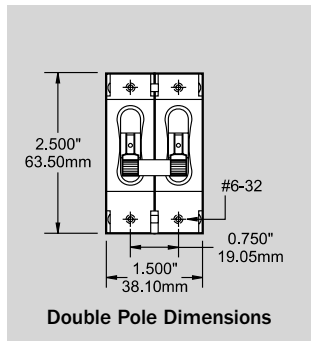
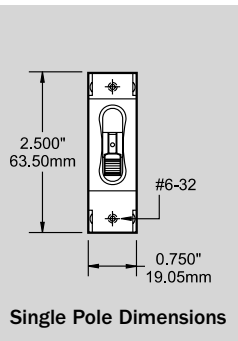
Interrupt Ratings (see ABYC Interrupt Rating Requirements page 71)

C-Series Circuit Breakers - Single Pole			
		UL 1077 - UL/CSA (US/Canada) ¹	EN60934 - TUV (Europe)
Voltage	Current	Interrupt Ratings	Interrupt Ratings
80V DC	5-100A	10,000A	5,000A
125V AC	5-100A	5,000A	5,000A
250V AC	5-100A	5,000A	5,000A

¹ UL Recognized

C-Series Circuit Breakers - Double and Triple Pole			
		UL 1077 - UL/CSA (US/Canada) ¹	EN60934 - TUV (Europe)
Voltage	Current	Interrupt Ratings	Interrupt Ratings
125/250V AC	50-100A	5,000A	5,000A
250V AC	50-100A	5,000A	5,000A

¹ UL Recognized



AC Rocker and Toggle Panels


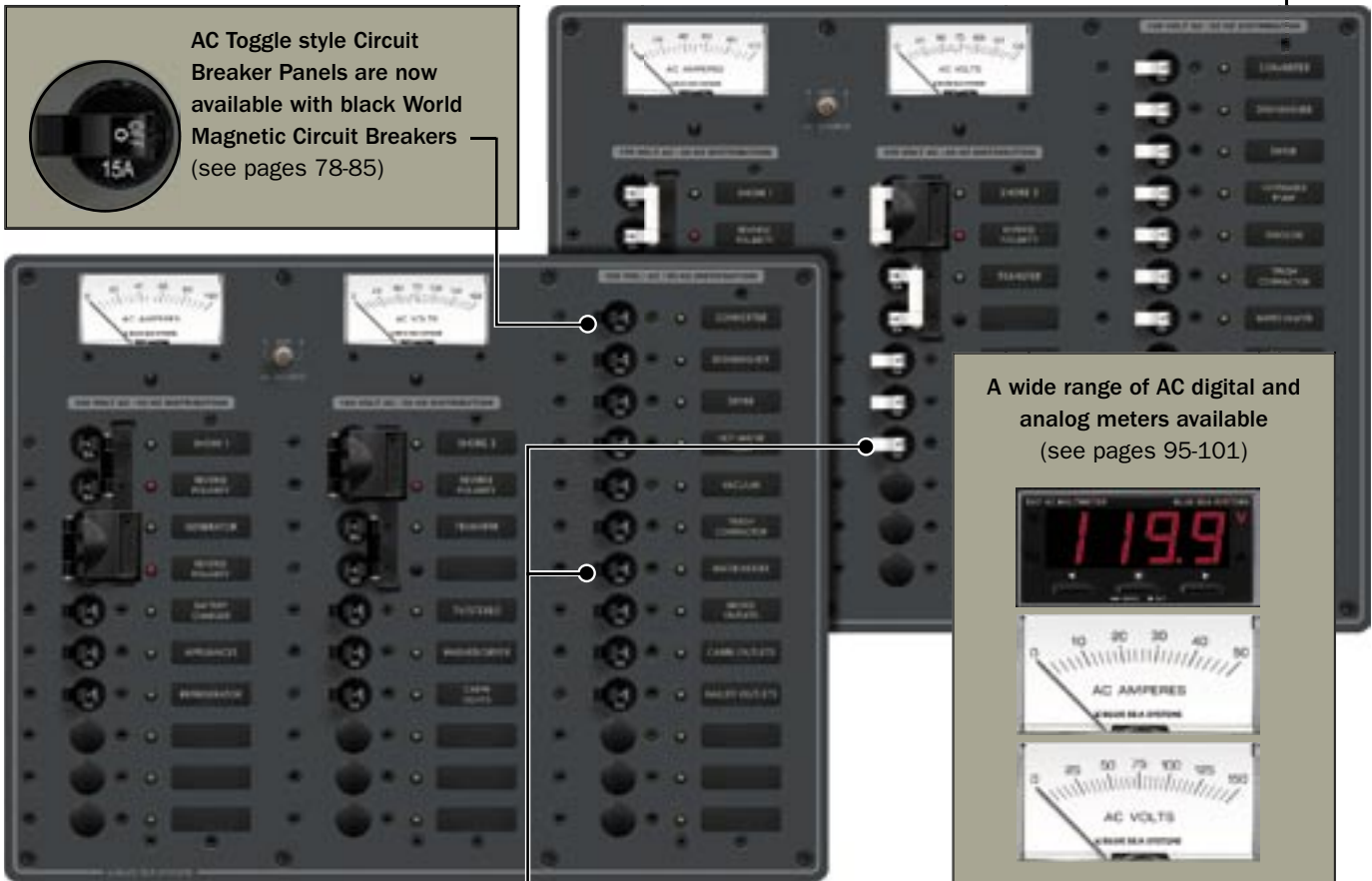
Common Features

- MIL-C-5541C or equivalent immersion undercoating for lifetime corrosion resistance
- All circuit label positions are backlit on standard panels - No kit required
- "ON" indicating LEDs installed in all circuit positions
- Countersunk mounting holes throughout
- Two-part polyurethane slate gray finish
- Heavy 1/8" aluminum 5052 alloy
- Industry standard height and width
- Over 500 individual labels to choose from (see pages 91-94)


Tin-Plated Copper bussing for high conductivity



AC Toggle style Circuit Breaker Panels are now available with black World Magnetic Circuit Breakers (see pages 78-85)

A wide range of AC digital and analog meters available (see pages 95-101)



Industry standard, toggle style, World Magnetic Circuit Breakers available in white or black (see pages 41, 63, and 72)



Rocker style Magnetic Circuit Breakers offer modern styling and improved resistance to accidental switching (see pages 43, 64, 73)



AC BRANCH POWER DISTRIBUTION AND CIRCUIT PROTECTION

AC Rocker Circuit Breaker Panels

Common Features

- Panels with a Main Circuit Breaker have a red reverse polarity LED indicator
- All hot, neutral, and safety ground buses installed, fully pre-wired
- Includes set of 30 common AC labels (see page 90)
- Label backlighting pre-installed excluding AC Main Only panels
- All LEDs installed

Main + 8 Positions



8620/8621*

Main + 3 Positions



8618/8619*

Main + 6 Positions



8616/8617*

8 Position



8612/8613*

Main Only¹



8604/8605/8606*/8607*

Main + 1 Position¹



8614/8615*

3 Position



8610/8611*

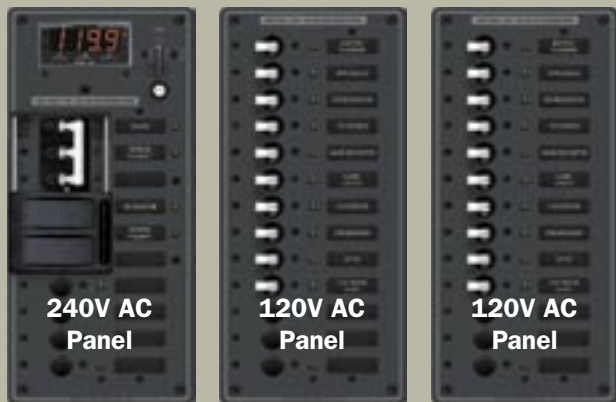
* 230 Volt (typical of Europe)

120 VOLT AC Rocker Circuit Breaker Panels												
PN	Description	Meter Type/PN	Meter Page	Width in" (mm)	Height in" (mm)	Weight Lb (Kg)	Installed Double Pole Circuit Breaker				Installed Single Pole Circuit Breakers	
							16A	30A	32A	50A	8A	15A
8604	Main only ¹	-	-	3.75 (95.25)	2.63 (66.68)	0.51 (0.23)	-	1	-	-	-	-
8605	Main only ¹	-	-	3.75 (95.25)	2.63 (66.68)	0.51 (0.23)	-	-	-	1	-	-
8614	Main + 1 Position ¹	-	-	5.25 (133.35)	3.75 (95.25)	0.95 (0.43)	-	1	-	-	-	-
8618	Main + 3 Positions	Digital/8247	96	5.25 (133.35)	7.50 (190.50)	2.94 (1.33)	-	1	-	-	-	3
8616	Main + 6 Positions	-	-	5.25 (133.35)	7.50 (190.50)	1.87 (0.85)	-	1	-	-	-	3
8620	Main + 8 Positions	Digital/8247	96	5.25 (133.35)	11.25 (285.75)	3.18 (1.44)	-	1	-	-	-	5
8610	3 Position	-	-	5.25 (133.35)	3.75 (95.25)	1.14 (0.52)	-	-	-	-	-	3
8612	8 Position	-	-	5.25 (133.35)	7.50 (190.50)	1.85 (0.84)	-	-	-	-	-	5

230 VOLT AC Rocker Circuit Breaker Panels (Typical of Europe)												
PN	Description	Meter Type/PN	Meter Page	Width in" (mm)	Height in" (mm)	Weight Lb (Kg)	Installed Double Pole Circuit Breaker				Installed Single Pole Circuit Breakers	
							16A	30A	32A	50A	8A	15A
8606	Main only ¹	-	-	3.75 (95.25)	2.63 (66.68)	0.51 (0.23)	1	-	-	-	-	-
8607	Main only ¹	-	-	3.75 (95.25)	2.63 (66.68)	0.51 (0.23)	-	-	1	-	-	-
8615	Main + 1 Position ¹	-	-	5.25 (133.35)	3.75 (95.25)	0.95 (0.43)	1	-	-	-	-	-
8619	Main + 3 Positions	Digital/8247	96	5.25 (133.35)	7.50 (190.50)	2.94 (1.33)	1	-	-	-	3	-
8617	Main + 6 Positions	-	-	5.25 (133.35)	7.50 (190.50)	1.87 (0.85)	1	-	-	-	3	-
8621	Main + 8 Positions	Digital/8247	96	5.25 (133.35)	11.25 (285.75)	3.18 (1.44)	1	-	-	-	5	-
8611	3 Position	-	-	5.25 (133.35)	3.75 (95.25)	1.14 (0.52)	-	-	-	-	3	-
8613	8 Position	-	-	5.25 (133.35)	7.50 (190.50)	1.85 (0.84)	-	-	-	-	5	-

¹ Includes labels illustrated only

Blue Sea Systems 11-1/4" height 240 Volt AC Distribution Panels are designed as companion panels to the 11-1/4" height 120 Volt AC panels.



The 240 Volt AC Distribution Panel supplies main circuit protection, AC source management, 240 Volt AC metering and 240 Volt AC branch circuits. Each 120 Volt AC leg from the 240V AC Distribution Panel is wired to the 120 Volt AC Distribution Panel powering the 120 Volt AC branch circuits.

120/240 Volt AC Circuit Breaker Panels

Common Features

- Red reverse polarity indicating LED
- All hot, neutral, and safety ground buses installed, fully pre-wired
- Label backlighting pre-installed
- All LEDs installed
- Maximum panel amperage - 50 Amperes

Main Only



7372

Source Selector + 2 Positions



7374

Source Selector + 2 Positions



7373

AC Main + 3 Positions



7370

AC Main + 3 Positions




7371

240 VOLT		AC Main Only Circuit Breaker Panel					
PN	Description	Meter Type/PN	Meter Page	Width in" (mm)	Height in" (mm)	Weight Lb (Kg)	Installed C-Series 3 Pole Main
7372	Main Only	-	-	5.25 (133.35)	3.75 (95.30)	1.38 (0.63)	50A 1

120/240 VOLT		AC Main and Source Selection Circuit Breaker Panels					
PN	Description	Meter Type/PN	Meter Page	Width in" (mm)	Height in" (mm)	Weight Lb (Kg)	Installed C-Series 3 Pole Main
7370	Main + 3 Positions	Analog/9354	100	5.25 (133.35)	11.25 (285.75)	2.98 (1.35)	50A 1
7371	Main + 3 Positions	Digital/8247	96	5.25 (133.35)	11.25 (285.75)	3.37 (1.53)	50A 1
7374	Source Selector + 2 Positions	Analog/9354	100	5.25 (133.35)	11.25 (285.75)	3.70 (1.68)	50A 2
7373	Source Selector + 2 Positions	Digital/8247	96	5.25 (133.35)	11.25 (285.75)	4.09 (1.85)	50A 2

AC Source Selector Circuit Breaker Panels

▶ Available with white or black circuit breakers installed. 

Common Features

- Red reverse polarity indication LED
- Double pole AC main circuit breakers with installed lockout slides
- All hot, neutral, and safety ground buses installed, fully pre-wired
- Includes set of 30 common AC labels (see page 90)
- Prevent connecting multiple AC sources simultaneously
- Label backlighting pre-installed
- All LEDs installed
- Maximum panel amperage - 50 Amperes

2 Sources + 32 Positions



8476/8576*   3476/3576*  

3 Sources + 25 Positions



8494/8594*   3494/3594*  

2 Sources + 18 Positions



8458   3458  

2 Sources + 29 Positions



8477/8577*   3477/3577*  

2 Sources + 20 Positions



8469/8569*   3469/3569*  

2 Sources + 12 Positions



8468/8568*   3468/3568*  

3 Sources + 28 Positions



8496/8596*   3496/3596*  

2 Sources + 17 Positions



8475/8575*   3475/3575*  

2 Sources + 9 Positions



8462/8562*   3462/3562*  

2 Sources + 8 Positions



8459/8559*   3459/3559*  

2 Sources + 14 Positions



8473/8573*   3473/3573*  

3 Sources - Horizontal¹



8498/8598*   3498/3598*  

2 Sources + 4 Positions



8499/8599*   3499/3599*  

¹ Includes labels illustrated only
* 230 Volt (typical of Europe)

AC BRANCH POWER DISTRIBUTION AND CIRCUIT PROTECTION

2 Sources + 9 Positions



8466/8566*
3466/3566*

2 Sources + 6 Positions



8489/8589*
3489/3589*

3 Sources - Vertical¹



8495/8595*
3495/3595*

3 Sources + 2 Positions¹



8474/8574*
3474/3574*

2 Sources + 4 Positions



8467/8567*
3467/3567*

2 Sources¹



8032/8061/8132*/8161*
3032/3061/3132*/3161*


¹ Includes labels illustrated only
* 230 Volt (typical of Europe)

Use the tables below to select AC Distribution Panels with AC Source Selectors where multiple sources must be managed on the panel.

120 VOLT		AC Source Selector Circuit Breaker Panels								
PN	PN	Description	Meter Type/PN	Meter Page	Width in" (mm)	Height in" (mm)	Weight Lb (Kg)	Installed Double Pole Circuit Breakers		Installed Single Pole Circuit Breakers
								30A	50A	15A
8032	3032	2 Sources	-	-	5.25 (133.35)	3.75 (95.25)	1.84 (0.83)	2	-	-
8061	3061	2 Sources	-	-	5.25 (133.35)	3.75 (95.25)	1.84 (0.83)	-	2	-
8495	3495	3 Sources - Vertical	-	-	5.25 (133.35)	7.50 (190.50)	2.24 (1.00)	3	1	-
8498	3498	3 Sources - Horizontal	-	-	10.50 (266.70)	4.50 (114.30)	1.90 (0.86)	3	1	-
8474	3474	3 Sources + 2 Positions	-	-	5.25 (133.35)	7.50 (190.50)	1.90 (0.86)	3	-	-
8467	3467	2 Sources + 4 Positions	-	-	5.25 (133.35)	7.50 (190.50)	1.90 (0.86)	2	-	2
8499	3499	2 Sources + 4 Positions	-	-	10.50 (266.70)	4.50 (114.30)	1.90 (0.86)	2	-	2
8489	3489	2 Sources + 6 Positions	Analog/9353	100	5.25 (133.35)	11.25 (285.75)	3.00 (1.36)	2	-	3
8459	3459	2 Sources + 8 Positions	-	-	14.75 (374.65)	4.50 (114.30)	3.15 (1.43)	2	-	6
8466	3466	2 Sources + 9 Positions	-	-	5.25 (133.35)	11.25 (285.75)	2.81 (1.27)	2	-	6
8462	3462	2 Sources + 9 Positions	Analog/9353	100	10.50 (266.70)	7.50 (190.50)	3.80 (1.72)	2	-	6
8468	3468	2 Sources + 12 Positions	-	-	10.50 (266.70)	7.50 (190.50)	3.75 (1.70)	2	-	8
8473	3473	2 Sources + 14 Positions	Analog/9630, 9353	100	14.75 (374.65)	7.50 (190.50)	6.00 (2.72)	2	-	11
8475	3475	2 Sources + 17 Positions	Digital/8247	96	14.75 (374.65)	7.50 (190.50)	5.30 (2.40)	2	-	11
8458	3458	2 Sources + 18 Positions	Analog/9630, 9353	100	10.50 (266.70)	13.75 (349.25)	9.10 (4.12)	3	1	12
8469	3469	2 Sources + 20 Positions	-	-	14.75 (374.65)	7.50 (190.50)	5.30 (2.40)	2	-	14
8494	3494	3 Sources + 25 Positions	Analog/9630, 9353	100	14.75 (374.65)	11.25 (285.75)	9.00 (4.08)	3	1	16
8496	3496	3 Sources + 28 Positions	Digital/8247	96	14.75 (374.65)	11.25 (285.75)	10.10 (4.58)	3	1	19
8477	3477	2 Sources + 29 Positions	Analog/9630, 9353	100	14.75 (374.65)	11.25 (285.75)	9.20 (4.17)	2	-	20
8476	3476	2 Sources + 32 Positions	Digital/8247	96	14.75 (374.65)	11.25 (285.75)	10.30 (4.67)	2	-	23

230 VOLT		AC Source Selector Circuit Breaker Panels (Typical of Europe)								
PN	PN	Description	Meter Type/PN	Meter Page	Width in" (mm)	Height in" (mm)	Weight Lb (Kg)	Installed Double Pole Circuit Breakers		Installed Single Pole Circuit Breakers
								16A	32A	8A
8132	3132	2 Sources	-	-	5.25 (133.35)	3.75 (95.25)	1.84 (0.83)	2	-	-
8161	3161	2 Sources	-	-	5.25 (133.35)	3.75 (95.25)	1.84 (0.83)	-	2	-
8595	3595	3 Sources - Vertical	-	-	5.25 (133.35)	7.50 (190.50)	2.24 (1.00)	3	1	-
8598	3598	3 Sources - Horizontal	-	-	10.50 (266.70)	4.50 (114.30)	1.90 (0.86)	3	1	-
8574	3574	3 Sources + 2 Positions	-	-	5.25 (133.35)	7.50 (190.50)	1.90 (0.86)	3	-	-
8567	3567	2 Sources + 4 Positions	-	-	5.25 (133.35)	7.50 (190.50)	1.90 (0.86)	2	-	2
8599	3599	2 Sources + 4 Positions	-	-	10.50 (266.70)	4.50 (114.30)	1.90 (0.86)	2	-	2
8589	3589	2 Sources + 6 Positions	Analog/9354	100	5.25 (133.35)	11.25 (285.75)	3.00 (1.36)	2	-	3
8559	3559	2 Sources + 8 Positions	-	-	14.75 (374.65)	4.50 (114.30)	3.15 (1.43)	2	-	6
8566	3566	2 Sources + 9 Positions	-	-	5.25 (133.35)	11.25 (285.75)	2.81 (1.27)	2	-	6
8562	3562	2 Sources + 9 Positions	Analog/9354	100	10.50 (266.70)	7.50 (190.50)	3.80 (1.72)	2	-	6
8568	3568	2 Sources + 12 Positions	-	-	10.50 (266.70)	7.50 (190.50)	3.75 (1.70)	2	-	8
8573	3573	2 Sources + 14 Positions	Analog/9630, 9354	100	14.75 (374.65)	7.50 (190.50)	6.00 (2.72)	2	-	11
8575	3575	2 Sources + 17 Positions	Digital/8247	96	14.75 (374.65)	7.50 (190.50)	5.30 (2.40)	2	-	11
8569	3569	2 Sources + 20 Positions	-	-	14.75 (374.65)	7.50 (190.50)	5.30 (2.40)	2	-	14
8594	3594	3 Sources + 25 Positions	Analog/9630, 9354	100	14.75 (374.65)	11.25 (285.75)	9.00 (4.08)	3	1	16
8596	3596	3 Sources + 28 Positions	Digital/8247	96	14.75 (374.65)	11.25 (285.75)	10.10 (4.58)	3	1	19
8577	3577	2 Sources + 29 Positions	Analog/9630, 9354	100	14.75 (374.65)	11.25 (285.75)	9.20 (4.17)	2	-	20
8576	3576	2 Sources + 32 Positions	Digital/8247	96	14.75 (374.65)	11.25 (285.75)	10.30 (4.67)	2	-	23

AC Main Circuit Breaker Panels

▷ Available with white or black circuit breakers installed. 

Common Features

- Red reverse polarity indication LED
- All hot, neutral, and safety ground buses installed, fully pre-wired
- Includes set of 30 common AC labels (see page 90)
- Label backlighting pre-installed excluding AC Main Only panels
- All LEDs installed
- Maximum panel amperage - 50 Amperes

Main + 34 Positions



8487/8587*  3487/3587* 

AC Main + 31 Positions



8486/8586*  3486/3586* 

Main + 19 Positions



8472/8572*  3472/3572* 

Main + 16 Positions



8471/8571*  3471/3571* 



Main + 3 Positions



8405/8505* 



Main + 3 Positions



8409/8509*  3409/3509* 



Main + 3 Positions



8043/8143*  3043/3143* 

Main + 6 Positions



8027/8127*  3027/3127* 

Main + 22 Positions



8465/8565*  3465/3565* 

Main + 10 Positions



8463/8563*  3463/3563* 

Main + 11 Positions



8407/8507*  3407/3507* 

Main + 11 Positions



8076/8176*  3076/3176* 

Main + 11 Positions



8470/8570*  3470/3570* 

Main + 14 Positions



8464/8564*  3464/3564* 

Main + 6 Positions



8412/8512*  3412/3512* 



Main + 4 Positions



8099/8199*  3099/3199* 



Main + 8 Positions



8406/8506*  3406/3506* 



Main + 8 Positions



8488/8588*  3488/3588* 



Main + 11 Positions



8485/3485*  8585/3585* 



Main + 8 Positions



8074/8174*  3074/3174* 



Main + 1 Position¹



8029/8129*  3029/3129* 

Main Only¹



8077/8079/8177*/8179*  3077/3079/3177*/3179* 

¹ Includes labels illustrated only

* 230 Volt (typical of Europe)

Specifications subject to change. See www.blueseasystems.com for current information.

Use the tables below to select AC Distribution Panels with AC Main Circuit Breakers where a single AC electrical source is brought to the panel and AC Main Circuit Protection is required.

120 VOLT		AC Main Toggle Circuit Breaker Panels								
PN	PN	Description	Meter Type/PN	Meter Page	Width in" (mm)	Height in" (mm)	Weight Lb (Kg)	Installed Double Pole Circuit Breakers		Installed Single Pole Circuit Breakers
								30A	50A	15A
8077	3077	Main only	-	-	2.63 (66.68)	3.75 (95.25)	0.51 (0.23)	1	-	-
8079	3079	Main only	-	-	2.63 (66.68)	3.75 (95.25)	0.51 (0.23)	-	1	-
8029	3029	Main + 1 Position	-	-	5.25 (133.35)	3.75 (95.25)	0.95 (0.43)	1	-	-
8043	3043	Main + 3 Positions	Analog/9353	100	5.25 (133.35)	7.50 (190.50)	2.00 (0.91)	1	-	3
8409	3409	Main + 3 Positions	Analog/8246, 8244	100	5.25 (133.35)	7.50 (190.50)	4.06 (1.84)	1	-	3
8405	3405	Main + 3 Positions	Digital/8247	96	5.25 (133.35)	7.50 (190.50)	2.94 (1.33)	1	-	3
8099	3099	Main + 4 Positions	-	-	10.50 (266.70)	3.75 (95.25)	2.22 (1.00)	1	-	4
8027	3027	Main + 6 Positions	-	-	5.25 (133.35)	7.50 (190.50)	1.87 (0.85)	1	-	3
8412	3412	Main + 6 Positions	-	-	10.50 (266.70)	4.50 (114.30)	1.90 (0.86)	1	-	4
8488	3488	Main + 8 Positions	Analog/9353	100	5.25 (133.35)	11.25 (285.75)	3.00 (1.36)	1	-	5
8074	3074	Main + 8 Positions	Analog/8246, 8244	100	5.25 (133.35)	11.25 (285.75)	3.18 (1.44)	1	-	5
8406	3406	Main + 8 Positions	Digital/8247	96	5.25 (133.35)	11.25 (285.75)	3.18 (1.44)	1	-	5
8463	3463	Main + 10 Positions	-	-	14.75 (374.65)	4.50 (114.30)	3.15 (1.43)	1	-	8
8470	3470	Main + 11 Positions	Analog/9353	100	10.50 (266.70)	7.50 (190.50)	3.74 (1.70)	1	-	8
8076	3076	Main + 11 Positions	Analog/8246, 8244	100	10.50 (266.70)	7.50 (190.50)	4.24 (1.92)	1	-	8
8407	3407	Main + 11 Positions	Digital/8247	96	10.50 (266.70)	7.50 (190.50)	4.78 (2.17)	1	-	8
8485	3485	Main + 11 Positions	-	-	5.25 (133.35)	11.25 (285.75)	2.81 (1.27)	1	-	8
8464	3464	Main + 14 Positions	-	-	10.50 (266.70)	7.50 (190.50)	3.74 (1.70)	1	-	8
8471	3471	Main + 16 Positions	Analog/9630, 9353	100	14.75 (374.65)	7.50 (190.50)	5.96 (2.70)	1	-	13
8472	3472	Main + 19 Positions	Digital/8247	96	14.75 (374.65)	7.50 (190.50)	6.72 (3.05)	1	-	13
8465	3465	Main + 22 Positions	-	-	14.75 (374.65)	7.50 (190.50)	5.25 (2.38)	1	-	13
8486	3486	Main + 31 Positions	Analog/9630, 9353	100	14.75 (374.65)	11.25 (285.75)	8.94 (4.05)	1	-	22
8487	3487	Main + 34 Positions	Digital/8247	96	14.75 (374.65)	11.25 (285.75)	10.00 (4.54)	1	-	25

230 VOLT		AC Main Toggle Circuit Breaker Panels (Typical of Europe)								
PN	PN	Description	Meter/PN	Meter Page	Width in" (mm)	Height in" (mm)	Weight Lb (Kg)	Installed Double Pole Circuit Breakers		Installed Single Pole Circuit Breaker
								16A	32A	8A
8177	3177	Main only	-	-	2.63 (66.68)	3.75 (95.25)	0.51 (0.23)	1	-	-
8179	3179	Main only	-	-	2.63 (66.68)	3.75 (95.25)	0.51 (0.23)	-	1	-
8129	3129	Main + 1 Position	-	-	5.25 (133.35)	3.75 (95.25)	0.95 (0.43)	1	-	-
8143	3143	Main + 3 Positions	Analog/9354	100	5.25 (133.35)	7.50 (190.50)	2.00 (0.91)	1	-	3
8509	3509	Main + 3 Positions	Analog/8246, 8245	100	5.25 (133.35)	7.50 (190.50)	4.06 (1.84)	1	-	3
8505	3505	Main + 3 Positions	Digital/8247	96	5.25 (133.35)	7.50 (190.50)	2.94 (1.33)	1	-	3
8199	3199	Main + 4 Positions	-	-	10.50 (266.70)	3.75 (95.25)	2.22 (1.00)	1	-	4
8127	3127	Main + 6 Positions	-	-	5.25 (133.35)	7.50 (190.50)	1.87 (0.85)	1	-	3
8512	3512	Main + 6 Positions	-	-	10.50 (266.70)	4.50 (114.30)	1.90 (0.86)	1	-	4
8588	3588	Main + 8 Positions	Analog/9354	100	5.25 (133.35)	11.25 (285.75)	3.00 (1.36)	1	-	5
8174	3174	Main + 8 Positions	Analog/8246, 8245	100	5.25 (133.35)	11.25 (285.75)	3.18 (1.44)	1	-	5
8506	3506	Main + 8 Positions	Digital/8247	96	5.25 (133.35)	11.25 (285.75)	3.18 (1.44)	1	-	5
8563	3563	Main + 10 Positions	-	-	14.75 (374.65)	4.50 (114.30)	3.15 (1.43)	1	-	8
8570	3570	Main + 11 Positions	Analog/9354	100	10.50 (266.70)	7.50 (190.50)	3.74 (1.70)	1	-	8
8176	3176	Main + 11 Positions	Analog/8246, 8245	100	10.50 (266.70)	7.50 (190.50)	4.24 (1.92)	1	-	8
8507	3507	Main + 11 Positions	Digital/8247	96	10.50 (266.70)	7.50 (190.50)	4.78 (2.17)	1	-	8
8585	3585	Main + 11 Positions	-	-	5.25 (133.35)	11.25 (285.75)	2.81 (1.27)	1	-	8
8564	3564	Main + 14 Positions	-	-	10.50 (266.70)	7.50 (190.50)	3.74 (1.70)	1	-	8
8571	3571	Main + 16 Positions	Analog/9630, 9354	100	14.75 (374.65)	7.50 (190.50)	5.96 (2.70)	1	-	13
8572	3572	Main + 19 Positions	Digital/8247	96	14.75 (374.65)	7.50 (190.50)	6.72 (3.05)	1	-	13
8565	3565	Main + 22 Positions	-	-	14.75 (374.65)	7.50 (190.50)	5.25 (2.38)	1	-	13
8586	3586	Main + 31 Positions	Analog/9630, 9354	100	14.75 (374.65)	11.25 (285.75)	8.94 (4.05)	1	-	22
8587	3587	Main + 34 Positions	Digital/8247	96	14.75 (374.65)	11.25 (285.75)	10.00 (4.54)	1	-	25

AC Branch Circuit Breaker Panels

▷ Available with white or black circuit breakers installed. 

Common Features

- All hot, neutral, and safety ground buses installed, fully pre-wired
- Includes set of 30 common AC labels (see page 90)
- Label backlighting pre-installed
- All LEDs installed
- Maximum panel amperage - 100 Amperes

36 Position



8484/8584*   3484/3584*  

33 Position¹



8483/8583*   3483/3583*  

21 Position



8482/8582*   3482/3582*  

18 Position¹



8481/8581*   3481/3581*  

24 Position



8265/8165*   3265/3165*  

12 Position



8460/8560*   3460/3560*  

13 Position



8479/8579*   3479/3579*  

16 Position



8461/8561*   3461/3561*  

8 Position



8411/8511*   3411/3511*  





6 Position



8097/8197*   3097/3197*  

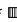



10 Position



8478/8578*   3478/3578*  





13 Position



8480/8580*   3480/3580*  





8 Position



8059/8159*   3059/3159*  

3 Position



8058/8158*   3058/3158*  

AC BRANCH POWER DISTRIBUTION AND CIRCUIT PROTECTION

¹ Maximum panel amperage - 50 Amperes
*230 Volt (typical of Europe)

Use the tables below to select AC Distribution Panels with AC Branch Circuit Breakers where a single AC electrical source is brought to the panel and AC Main Circuit Protection has been provided elsewhere.


120 VOLT		AC Branch Toggle Circuit Breaker Panels							
PN	PN	Description	Meter Type/PN	Meter Page	Width in" (mm)	Height in" (mm)	Weight Lb (Kg)	Installed Single Pole Circuit Breakers	
								8A	15A
8058	3058	3 Position	-	-	5.25 (133.35)	3.75 (95.25)	1.14 (0.52)	-	3
8097	3097	6 Position	-	-	10.50 (266.70)	3.75 (95.25)	2.22 (1.00)	-	6
8059	3059	8 Position	-	-	5.25 (133.35)	7.50 (190.50)	1.85 (0.84)	-	5
8411	3411	8 Position	-	-	10.50 (266.70)	4.50 (114.30)	1.90 (0.86)	-	6
8478	3478	10 Position	Analog/9353	100	5.25 (133.35)	11.25 (285.75)	3.00 (1.36)	-	7
8460	3460	12 Position	-	-	14.75 (374.64)	4.50 (114.30)	3.15 (1.43)	-	10
8479	3479	13 Position	Analog/9353	100	10.50 (266.70)	7.50 (190.50)	3.74 (1.70)	-	10
8480	3480	13 Position	-	-	5.25 (133.35)	11.25 (285.75)	2.81 (1.27)	-	10
8461	3461	16 Position	-	-	10.50 (266.70)	7.50 (190.50)	3.74 (1.70)	-	10
8481	3481	18 Position	Analog/9630, 9353	100	14.75 (374.64)	7.50 (190.50)	5.96 (2.70)	-	15
8482	3482	21 Position	Digital/8247	96	14.75 (374.64)	7.50 (190.50)	6.72 (3.05)	-	15
8265	3265	24 Position	-	-	14.75 (374.64)	7.50 (190.50)	5.12 (3.32)	-	15
8483	3483	33 Position	Analog/9630, 9353	100	14.75 (374.64)	11.25 (285.75)	8.94 (4.05)	-	24
8484	3484	36 Position	Digital/8247	96	14.75 (374.64)	11.25 (285.75)	10.00 (4.54)	-	27

230 VOLT		AC Branch Toggle Circuit Breaker Panels (Typical of Europe)							
PN	PN	Description	Meter/PN	Meter Page	Width in" (mm)	Height in" (mm)	Weight Lb (Kg)	Installed Single Pole Circuit Breakers	
								8A	15A
8158	3158	3 Position	-	-	5.25 (133.35)	3.75 (95.25)	1.14 (0.52)	3	-
8197	3197	6 Position	-	-	10.50 (266.70)	3.75 (95.25)	2.22 (1.00)	6	-
8159	3159	8 Position	-	-	5.25 (133.35)	7.50 (190.50)	1.85 (0.84)	5	-
8511	3511	8 Position	-	-	10.50 (266.70)	4.50 (114.30)	1.90 (0.86)	6	-
8578	3578	10 Position	Analog/9354	100	5.25 (133.35)	11.25 (285.75)	3.00 (1.36)	7	-
8560	3560	12 Position	-	-	14.75 (374.64)	4.50 (114.30)	3.15 (1.43)	10	-
8579	3579	13 Position	Analog/9354	100	10.50 (266.70)	7.50 (190.50)	3.74 (1.70)	10	-
8580	3580	13 Position	-	-	5.25 (133.35)	11.25 (285.75)	2.81 (1.27)	10	-
8561	3561	16 Position	-	-	10.50 (266.70)	7.50 (190.50)	3.74 (1.70)	10	-
8581	3581	18 Position	Analog/9630, 9354	100	14.75 (374.64)	7.50 (190.50)	5.96 (2.70)	15	-
8582	3582	21 Position	Digital/8247	96	14.75 (374.64)	7.50 (190.50)	6.72 (3.05)	15	-
8165	3165	24 Position	-	-	14.75 (374.64)	7.50 (190.50)	5.12 (3.32)	15	-
8583	3583	33 Position	Analog/9630, 9354	100	14.75 (374.64)	11.25 (285.75)	8.94 (4.05)	24	-
8584	3584	36 Position	Digital/8247	96	14.75 (374.64)	11.25 (285.75)	10.00 (4.54)	27	-

Combination AC/DC Circuit Breaker Panels

Common Features

- Includes set of 30 common AC and 30 common DC labels (see page 90)
- All AC and DC buses installed, fully pre-wired
- Label backlighting pre-installed
- Red reverse polarity indicating LED
- All LEDs installed
- Maximum panel amperage - 100 Amperes DC/50 Amperes AC

▶ Available with white or black circuit breakers installed. 

AC Main + 6 Positions/DC 16 Position



8684/8685*

DC Features

- Owner upgradeable to 24 Volt DC with 8240, 18-32 Volt DC Voltmeter

AC Main + 6 Positions/DC Main + 18 Positions



8408/8508*  3408/3508* 

AC Features

- Ready for installation of optional 4029 AC Isolation Cover (see page 88)

DC Features

- 100 Ampere C-Series Circuit Breaker provides main circuit protection and switching for DC branch circuits
- All positive, negative and grounding buses installed fully prewired

AC Main + 8 Positions/DC Main + 29 Positions



8095/8195*  3095/3195* 

DC Features

- Owner upgradeable to 24 Volt DC with 8240, 18-32 Volt DC Voltmeter

AC 2 Sources + 12 Positions/DC Main + 19 Positions



8086/8186*  3086/3186* 

AC Features

- Ready for installation of optional 4031 AC Isolation Cover (see page 88)

DC Features

- 100 Ampere C-Series Circuit Breaker provides main circuit protection and switching for DC branch circuits
- All positive, negative and grounding buses installed fully prewired

AC Main + 6 Positions/DC Main + 15 Positions



8084/8184*  3084/3184* 

AC Features

- Ready for installation of optional 4029 AC Isolation Cover - 2 required (see page 88)

DC Features

- 100 Ampere C-Series Circuit Breaker provides main circuit protection and switching for DC branch circuits
- Owner upgradeable to 24 Volt DC with 8240, 18-32 Volt DC Voltmeter

AC 2 Sources + 12 Positions/DC Main + 7 Positions



8085/8185*  3085/3185* 

AC Features

- Ready for installation of optional 4029 AC Isolation Cover - 2 required (see page 88)

DC Features

- 100 Ampere C-Series Circuit Breaker provides main circuit protection and switching for DC branch circuits
- Owner upgradeable to 24 Volts DC with 8240, 18-32 Volt DC Voltmeter

* 230 Volt (typical of Europe)

Blue Sea Systems

Specifications subject to change. See www.blueseasystems.com for current information.

120 VOLT		AC/DC Toggle Circuit Breaker Panels										
PN	PN	Description	Voltage	Meter Type/PN	Width in" (mm)	Height in" (mm)	Weight Lb (Kg)	Installed AC Circuit Breakers			Installed DC Circuit Breakers	
								30A	50A	15A	100A Main	15A
8085	3085	AC 2 Sources + 12 Positions DC Main + 7 Positions	120V AC 12V DC	Analog*/8003, 9630, 9353	14.75 (374.65)	10.00 (254.00)	6.50 (2.95)	2	-	9	1	4
8084	3084	AC Main + 6 Positions DC Main + 15 Positions	120V AC 12V DC	Analog*/8003, 8017, 9353	14.75 (374.65)	10.00 (254.00)	6.50 (2.95)	1	-	3	1	9
8408	3408	AC Main + 6 Positions DC Main + 18 positions	120V AC 12/24V DC	Digital**/8247, 8248	15.75 (400.05)	10.00 (254.00)	8.73 (3.96)	1	-	3	1	12
8086	3086	AC 2 Sources + 12 Positions DC Main + 19 Positions	120V AC 12V DC	Analog*/8003, 8017, 9630, 9353	19.50 (495.30)	11.50 (292.10)	12.80 (5.81)	3	1	6	1	13
8095	3095	AC Main + 8 Positions DC Main + 29 Positions	120V AC 12V DC	Analog*/8003, 8017, 9630, 9353	19.50 (495.30)	11.50 (292.10)	12.80 (5.81)	1	-	5	1	20

230 VOLT		AC/DC Toggle Circuit Breaker Panels (Typical of Europe)										
PN	PN	Description	Voltage	Meter Type/PN	Width in" (mm)	Height in" (mm)	Weight Lb (Kg)	Installed AC Circuit Breakers			Installed DC Circuit Breakers	
								16A	32A	8A	100A Main	15A
8185	3185	AC 2 Sources + 12 Positions DC Main + 7 Positions	230V AC 12V DC	Analog*/8003, 9630, 9354	14.75 (374.65)	10.00 (254.00)	6.50 (2.95)	2	-	9	1	4
8184	3184	AC Main + 6 Positions DC Main + 15 Positions	230V AC 12V DC	Analog*/8003, 8017, 9354	14.75 (374.65)	10.00 (254.00)	6.50 (2.95)	1	-	3	1	9
8508	3508	AC Main + 6 Positions DC Main + 18 positions	230V AC 12/24V DC	Digital**/8247, 8248	15.75 (400.05)	10.00 (254.00)	8.73 (3.96)	1	-	3	1	12
8186	3186	AC 2 Sources + 12 Positions DC Main + 19 Positions	230V AC 12V DC	Analog*/8003, 8017, 9630, 9354	19.50 (495.30)	11.50 (292.10)	12.80 (5.81)	3	1	6	1	13
8195	3195	AC Main + 8 Positions DC Main + 29 Positions	230V AC 12V DC	Analog*/8003, 8017, 9630, 9354	19.50 (495.30)	11.50 (292.10)	12.80 (5.81)	1	-	5	1	20

120 VOLT		AC/DC Rocker Circuit Breaker Panels										
PN	Description	Voltage	Meter Type/PN	Width in" (mm)	Height in" (mm)	Weight Lb (Kg)	Installed AC Circuit Breakers				Installed DC Circuit Breakers	
							16A	30A	8A	15A	100A Main	15A
8684	AC Main + 6 Positions DC 16 Positions	120V AC 12V DC	Analog*/8003, 8017, 9353	14.75 (374.65)	10.00 (254.00)	6.50 (2.95)	-	1	-	3	-	10

230 VOLT		AC/DC Rocker Circuit Breaker Panels (Typical of Europe)										
PN	Description	Voltage	Meter Type/PN	Width in" (mm)	Height in" (mm)	Weight Lb (Kg)	Installed AC Circuit Breakers				Installed DC Circuit Breakers	
							16A	30A	8A	15A	100A Main	15A
8685	AC Main + 6 Positions DC 16 Position	230V AC 12V DC	Analog*/8003, 8017, 9354	14.75 (374.65)	10.00 (254.00)	6.50 (2.95)	1	-	3	-	-	10

* Analog meters see pages 100-102
 ** Digital meters see pages 95-99, 102

Combined AC/DC panels require a Circuit Breaker Isolating Cover to meet ABYC Standards.

ABYC E11.11.1.1. In the case of systems with a combined AC and DC panel, the panel shall be designed so that when the panel is open there is no access to energized AC parts without the use of tools.



PN 4031 Circuit Breaker Isolating Cover (see page 88) Installed on PN 8086 AC/DC Circuit Breaker Panel (see page 84)